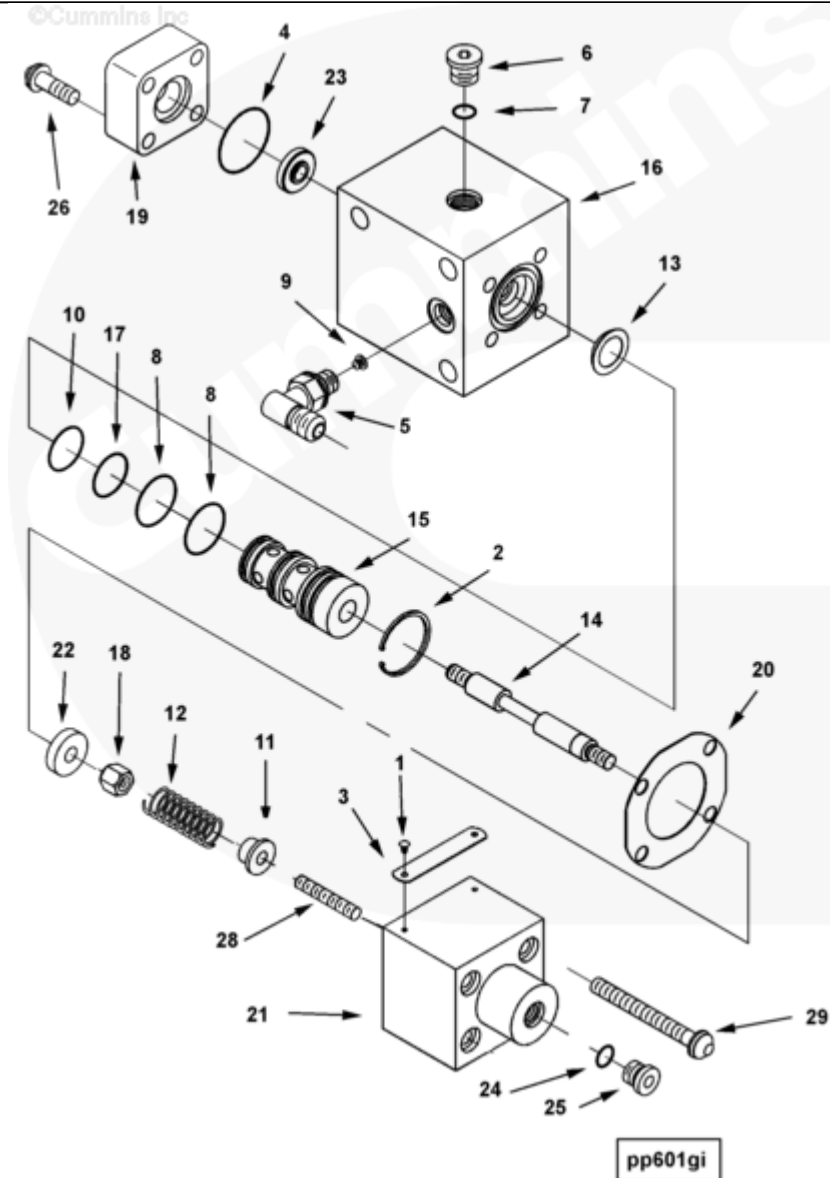




Parts Catalog - Option Detail

| Electronic Parts Catalog - Option Detail | | | | |
|--|---|---------|-----------|-----------|
| Option | Group | Graphic | Film Card | Date |
| PP2404-03 | 06.01.1 | pp601gi | K38 | 12-JAN-04 |
| Engines | GTA38, K38, KTA38GC CM558, QSK38 CM2150 K106, QSK38 CM2150 MCRS, QSK38 CM850 MCRS | | | |



[SMALL](#) | [MEDIUM](#) | [LARGE](#)

| Cart | Ref No | Part Number | Part Description | Required | Remarks |
|--------------|--------|-------------|-------------------|----------|---------|
| View My Cart | | | | | |
| | | PP2404-03 | Oil Control Valve | | |

| | | | | | |
|--------------------------|----|---------|---------------------------|---|---------------|
| <input type="checkbox"/> | | 3063022 | Oil Control Valve | 2 | |
| <input type="checkbox"/> | 1 | S 2286 | Drive Screw | 2 | 3/16 in. |
| <input type="checkbox"/> | 2 | S 16240 | Retaining Ring | 1 | |
| <input type="checkbox"/> | 3 | 105375 | Nameplate | 1 | |
| <input type="checkbox"/> | 4 | 3034408 | O-Ring Seal | 1 | |
| <input type="checkbox"/> | 5 | 3038743 | Check Valve | 1 | |
| <input type="checkbox"/> | | 3040814 | Threaded Plug | 1 | 7/16 - 20 UNF |
| | 6 | 3036665 | Threaded Plug | 1 | 7/16 - 20 UNF |
| <input type="checkbox"/> | 7 | 3036666 | O-Ring Seal | 1 | |
| <input type="checkbox"/> | 8 | 3042542 | O-Ring Seal | 2 | |
| <input type="checkbox"/> | 9 | 3044993 | Injector Orifice Plug | 1 | |
| <input type="checkbox"/> | 10 | 3045986 | O-Ring Seal | 1 | |
| <input type="checkbox"/> | 11 | 3049041 | Spring Retainer | 1 | |
| <input type="checkbox"/> | 12 | 3051069 | Compression Spring | 1 | |
| <input type="checkbox"/> | 13 | 3054411 | Leaf Spring | 1 | |
| <input type="checkbox"/> | | 3060605 | Barrel And Plunger | 1 | |
| <input type="checkbox"/> | 14 | 3053667 | Oil Control Valve Plunger | 1 | |
| <input type="checkbox"/> | 15 | 3060604 | Oil Control Valve Barrel | 1 | |
| <input type="checkbox"/> | 16 | 3060606 | Oil Control Valve Body | 1 | |
| <input type="checkbox"/> | 17 | 3066914 | O-Ring Seal | 1 | |
| <input type="checkbox"/> | 18 | 3069015 | Lock Nut | 1 | 1/4 - 28 UNF. |
| <input type="checkbox"/> | 19 | 3069989 | Oil Control Valve Cover | 1 | |
| <input type="checkbox"/> | 20 | 3070108 | Control Valve Body Gasket | 1 | |
| | 21 | 4009927 | Diaphragm Cover | 1 | |
| <input type="checkbox"/> | 22 | 3070186 | Plain Washer | 1 | 1/4 Inch. |
| <input type="checkbox"/> | 23 | 3073998 | Valve Disc | 1 | |
| <input type="checkbox"/> | | 3417076 | Threaded Plug | 1 | |
| <input type="checkbox"/> | 24 | 3034412 | O-Ring Seal | 1 | |
| | 25 | 3417103 | Threaded Plug | 1 | |
| <input type="checkbox"/> | 26 | 3417077 | Socket Head Cap Screw | 4 | |

| | | | | | |
|--------------------------|----|-------------------------|-----------------------|---|--|
| <input type="checkbox"/> | 28 | 3417096 | Socket Set Screw | 1 | |
| <input type="checkbox"/> | 29 | 3417098 | Socket Head Cap Screw | 4 | |

© 2019 Cummins Inc., Box 3005, Columbus, IN 47202-3005 U.S.A.
Terms of Use and Disclaimers | Recommended System Requirements
Need Assistance? Please click on the Contact Us button in the top right corner of any page.